

# Technical Data Sheet

CODE 42366

## A-E 566 T

Compact plate axial fans



### Certifications

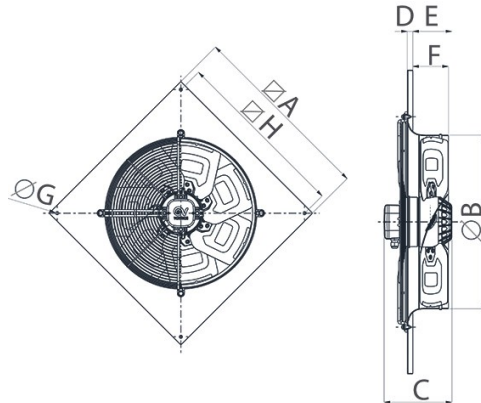
CE CE

EAC EAC

### TECHNICAL AND PERFORMANCE DATA

Frequency (Hz)	50	Voltage (V)	380-415
Insulation class	I°	Weight (Kg)	20.8
IP	54	Max airflow (l/s)	2236
Max absorbed current (A)	1.06	Max airflow (m³/h)	8050
Max absorbed power (W)	480	Max pressure (Pa)	175
Max ambient temperature for continuous operation (°C)	50	Max pressure at Max speed (mmH2O)	17,8
Motor ATEX marking	54	RPM	1000
Nominal diameter (mm)	560	Sound power Lw [dB(A)]	77.2
Number of phases (Ph)	3	Sound pressure at 1m calculated in free field Lp [dB(A)]	66.2
Number of poles	6	Sound pressure at 3m calculated in free field Lp [dB(A)]	56.7

### DIMENSIONS



Size A (mm)	725
Size B (mm)	563
Size C (mm)	218
Size D (mm)	16
Size E (mm)	131
Size F (mm)	105
Size G (mm)	11
Size H (mm)	675

### PER INFORMAZIONI / FOR INFORMATION

#### ITALY

Pre Sales:  
prevendita@vortice-italy.com  
After Sales:  
postvendita@vortice-italy.com

#### UNITED KINGDOM & REP. OF

IRELAND  
Sales Dept:  
sales@vortice.ltd.uk  
Technical Dept:  
technical@vortice.ltd.uk

#### OTHER COUNTRIES

Sales Dept:  
export@vortice-italy.com  
After Sales:  
after-sales@vortice-italy.com

# Technical Data Sheet

CODE 42366

## A-E 566 T

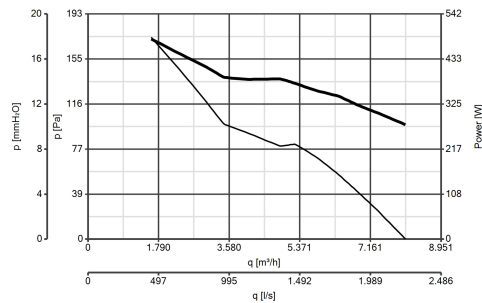
Compact plate axial fans



### DESCRIPTION

- Compact plate axial fans.
- Three-phase model.
- Phosphated sheet steel panels, painted with epoxy powder, in grey with a hammered effect, resistant to atmospheric agents.
- Thermo-protected AC motor class F with external rotor, one speed, equipped with ball bearings.
- High aeratic performance impellers with electro-galvanised sheet steel blades, painted with polyester paint, in black. 4 blades.
- Low noise levels.
- Support grilles offering accident protections and functioning as an anti-bird guards, in electro-welded steel rings painted with black epoxy paint, easy to remove for maintenance.
- Wide range of continuous operation temperatures between -30°C and +50°C.
- Electric supply 400 V / 50 Hz for single phase models.
- Protection motor: IP54.
- Insulation class: I.
- **Conforms to the requirements of the regulation N° 327/2011/UE (Lot 11, 1st Tier) set out by the EUP/ErP Directive, effective as of 01.01.2013.**

### CURVES



### ACCESSORIES



#### IRT 35

Code 12924



#### Iret Inverter

2,5 M

Code 12816

### PER INFORMAZIONI / FOR INFORMATION

#### ITALY

Pre Sales:  
prevendita@vortice-italy.com

After Sales:  
postvendita@vortice-italy.com

UNITED KINGDOM & REP. OF  
IRELAND

Sales Dept:  
sales@vortice.ltd.uk  
Technical Dept:  
technical@vortice.ltd.uk

### OTHER COUNTRIES

Sales Dept:  
export@vortice-italy.com  
After Sales:  
after-sales@vortice-italy.com