

Waste extractor

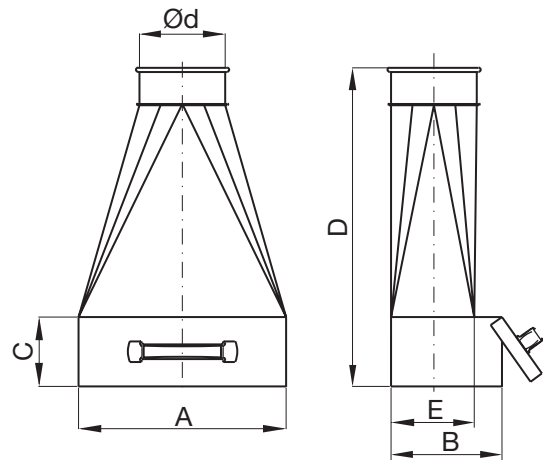
GSTR



Description

Used for extraction of chips etc. Is to be placed up to a wall.

Dimensions



Ød nom	A mm	B mm	C mm	D mm	E mm
100	300	165	100	460	120
125	300	165	100	460	120
160	300	165	100	460	120

Ordering example

