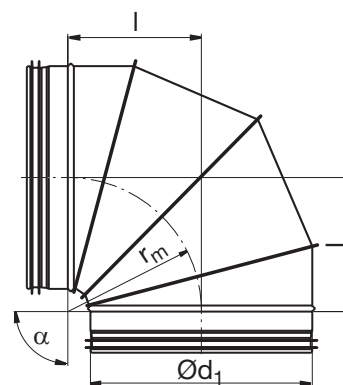


Bend – short, lockseamed

BKFU 90°



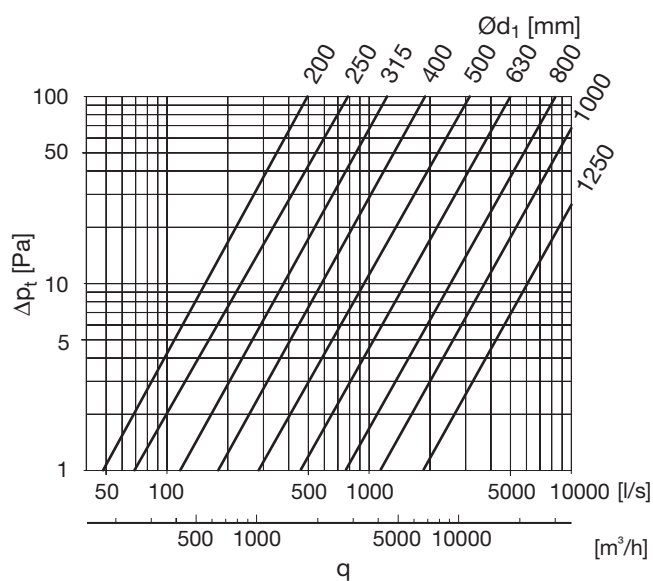
Dimensions



$$r_m \approx 0,6 \cdot d_1$$

Description

Segmented and lockseamed bend with short installation length.



$\text{Ø}d_1$ nom	l mm	m kg
200	158	1,18
250	180	1,64
315	220	2,49
400	255	3,61
500	315	6,30
630	397	9,45
800	470	18,0
1000	570	26,9
1250	695	38,8

Ordering example

