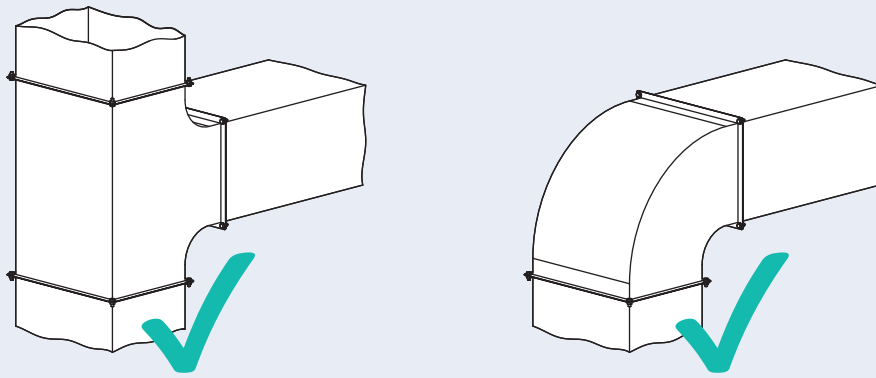


OPTIMA-S

Regulátor variabilního průtoku (VAV) hranatý

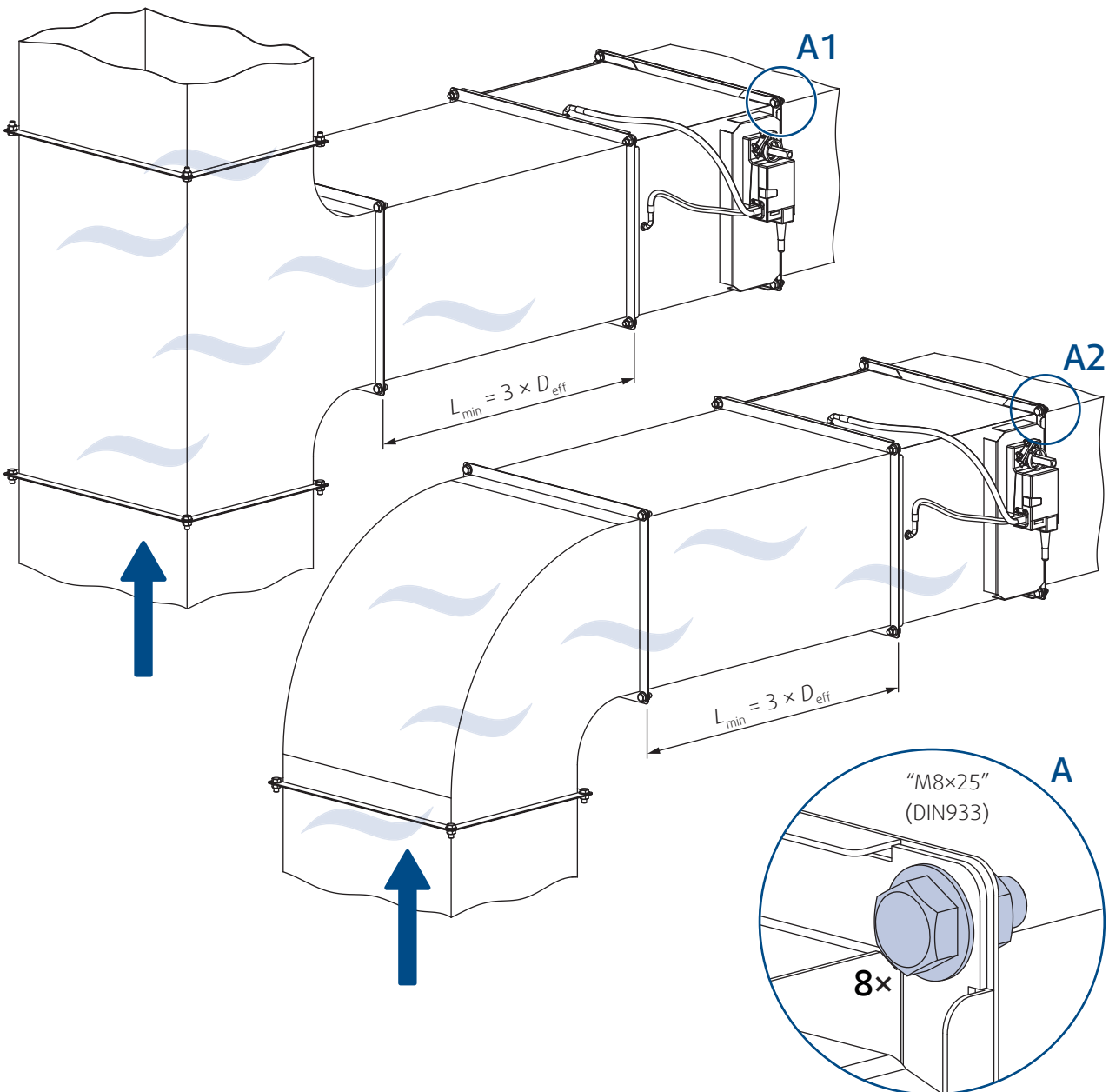
Návod na montáž, obsluhu a údržbu

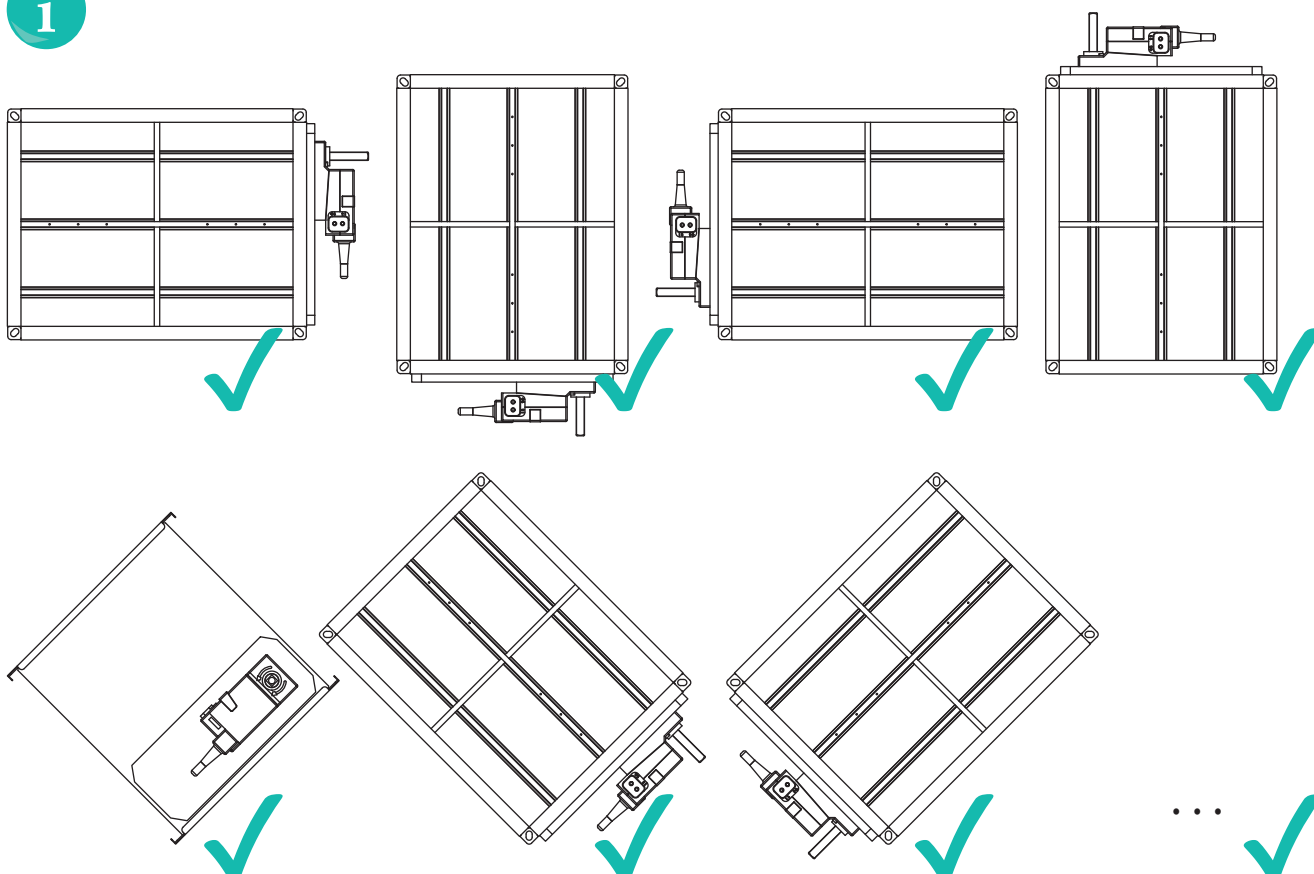
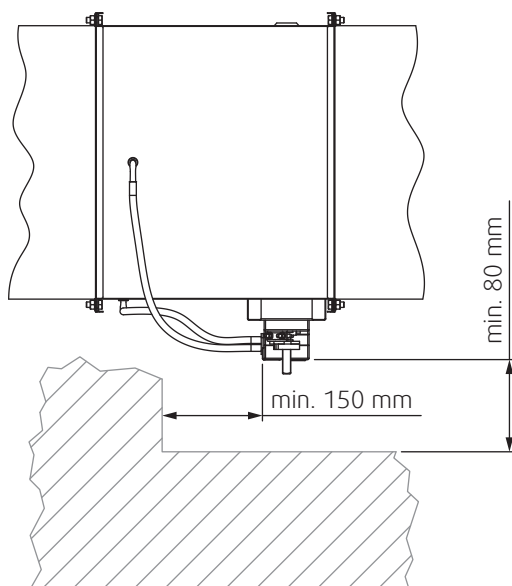


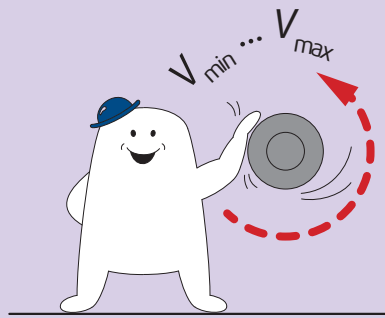


1.

$$D_{\text{eff}} = (2 \times W \times H) / (W + H)$$







OPTIMA-S...

-BLC1

-BLC1MOD

-GO

-BLC4

-BLC1LON

-GOMOD

-BLC1KNX

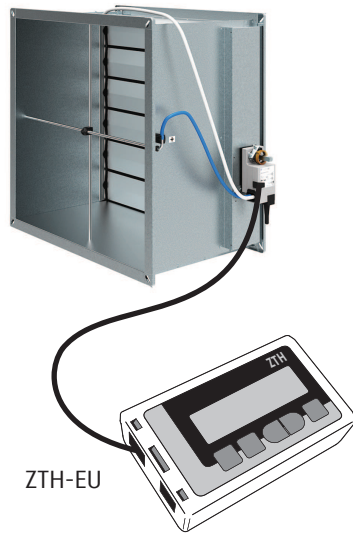
-BLC1

-BLC4

-BLC1MOD

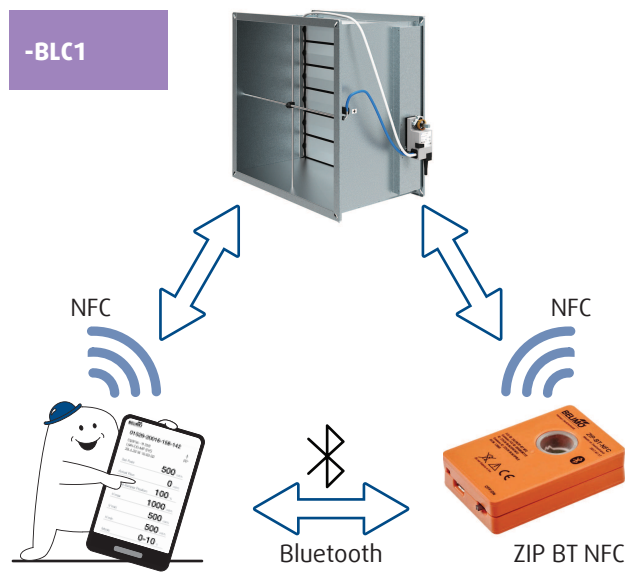
-BLC1LON

-BLC1KNX



ZTH-EU

-BLC1



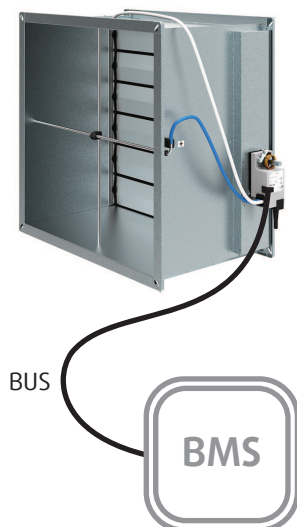
-BLC1MOD

-BLC1LON

-BLC1KNX

-GO

-GOMOD

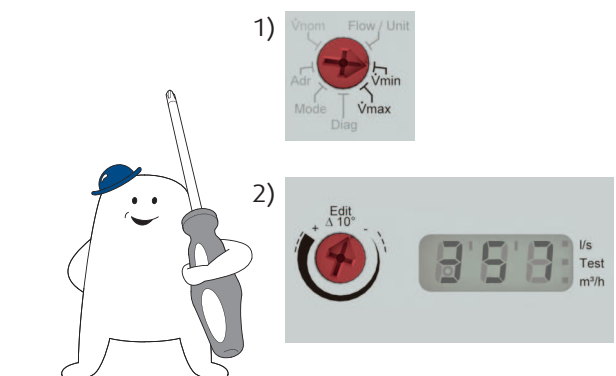


BUS

BMS

-GO

-GOMOD





OPTIMA-S...

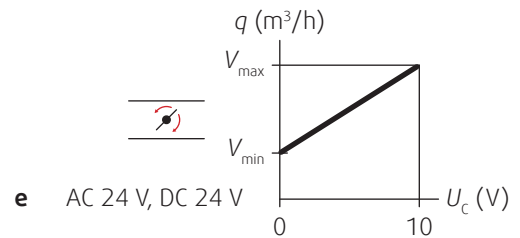
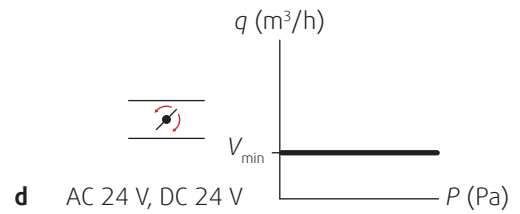
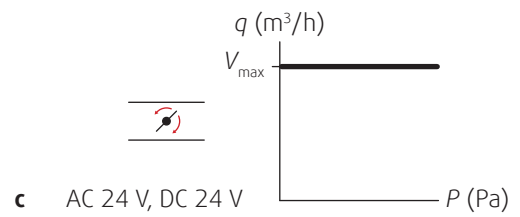
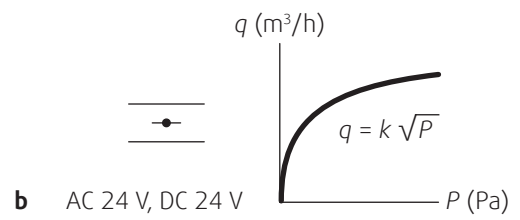
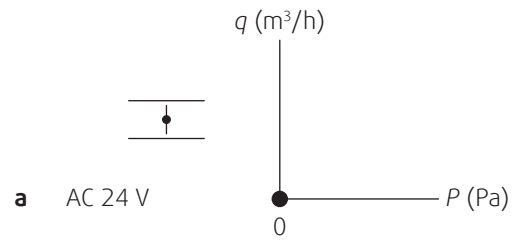
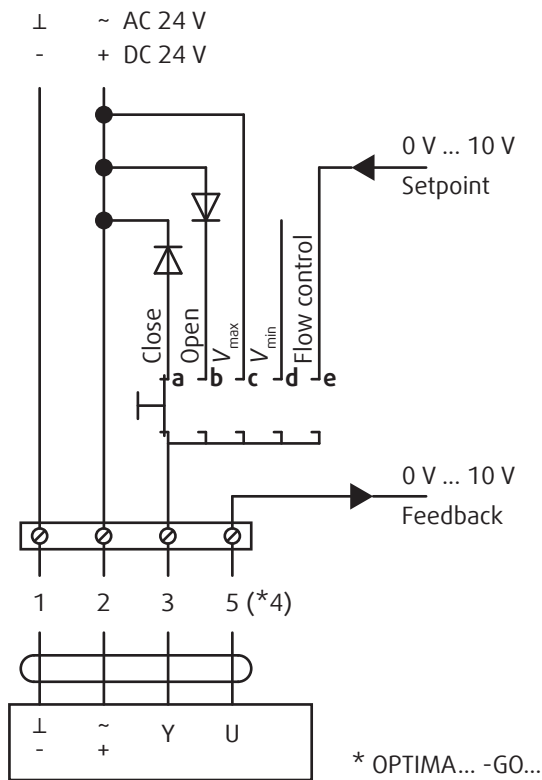
-BLC1

-BLC4

-GO

-GOMOD

(DC 0 V ... 10 V)





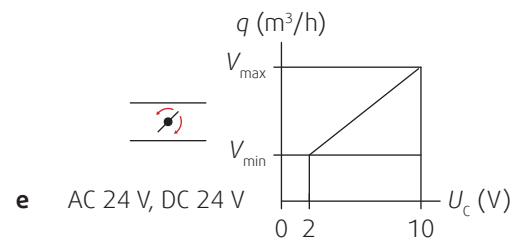
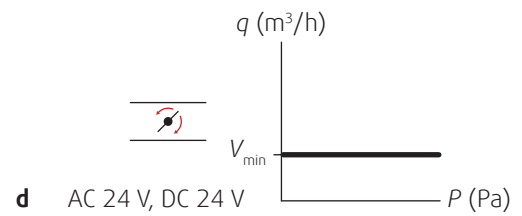
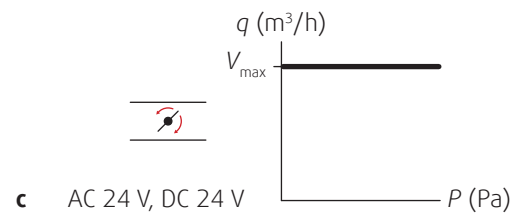
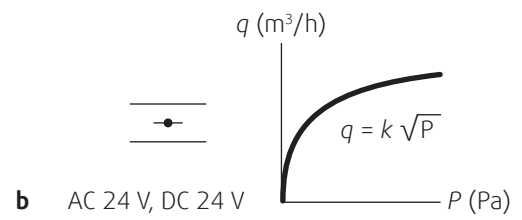
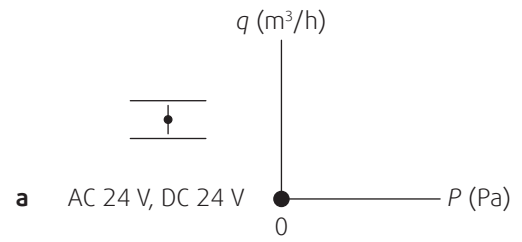
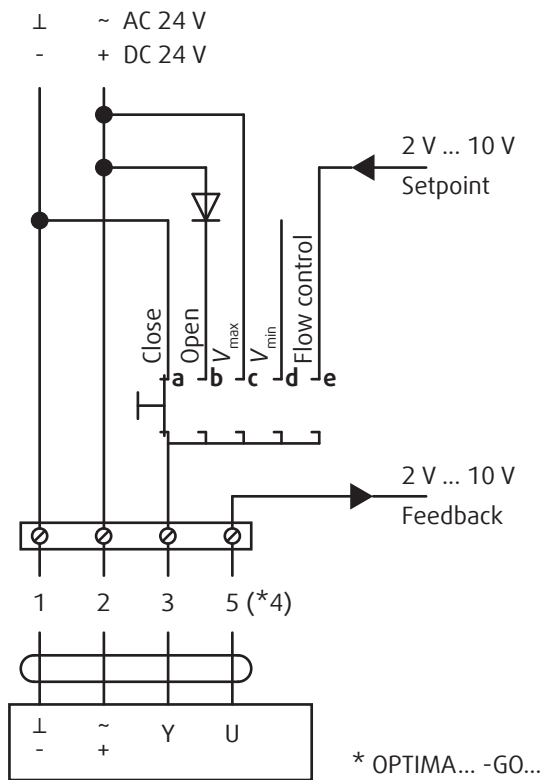
OPTIMA-S...

-BLC1

-BLC4

-GO

(DC 2 V ... 10 V)



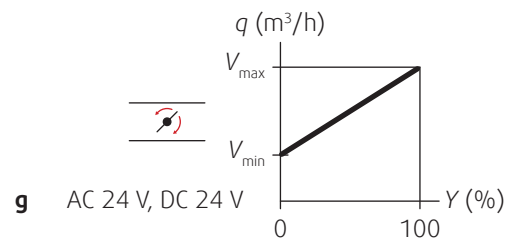
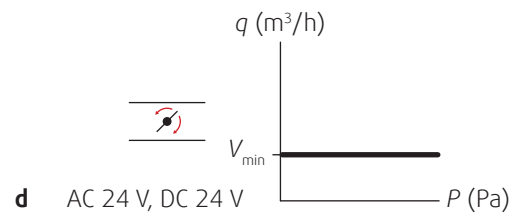
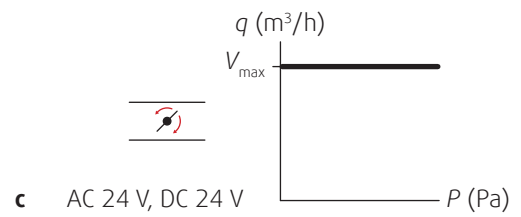
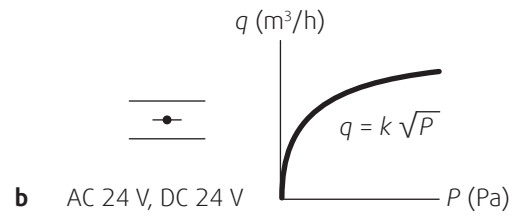
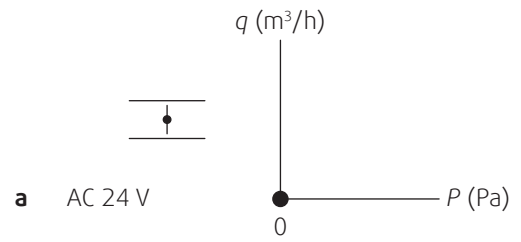
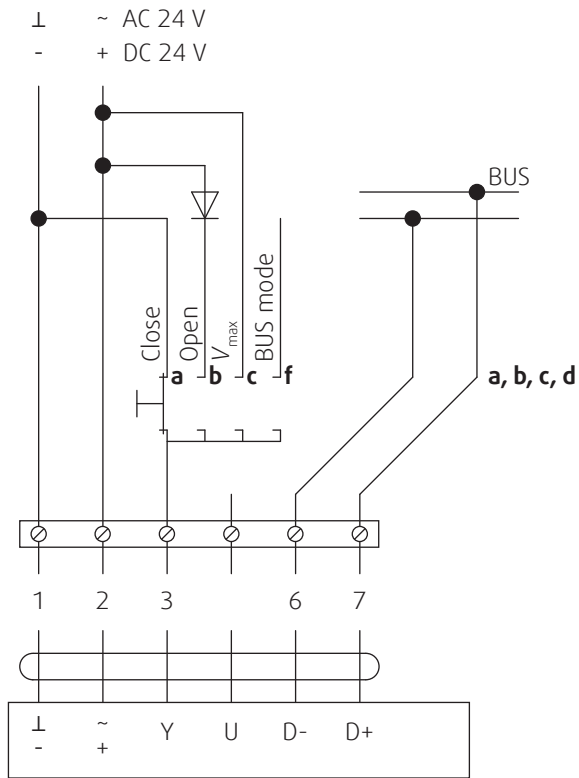


OPTIMA-S...

-BLC1LON

-BLC1KNX

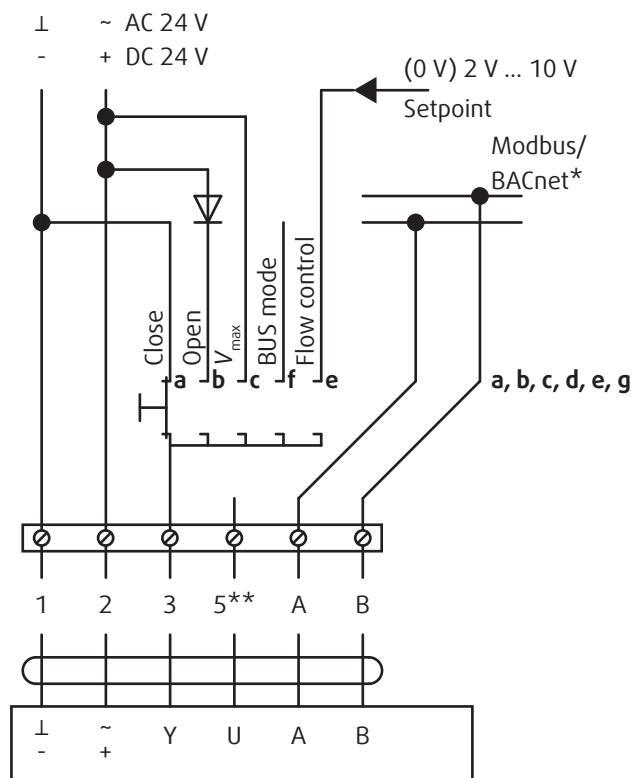
(BUS)





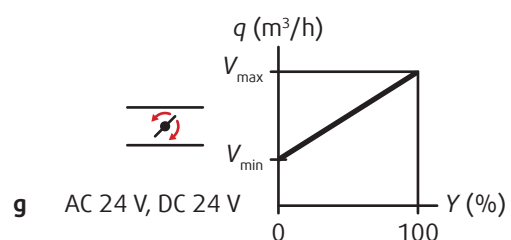
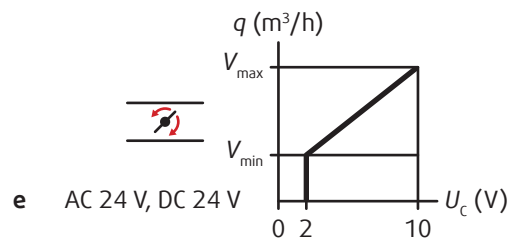
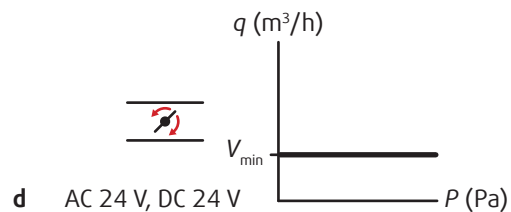
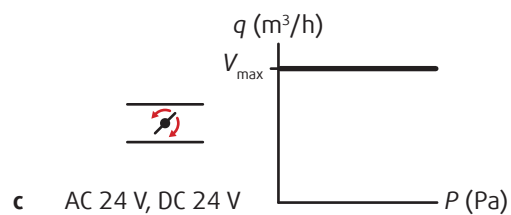
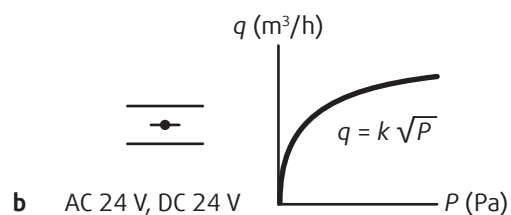
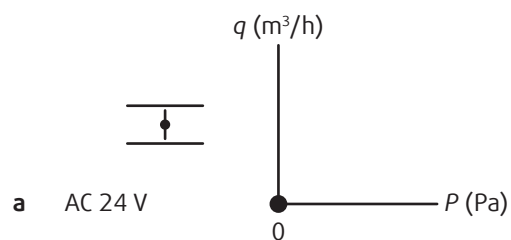
OPTIMA-S... -GOMOD -BLC1MOD

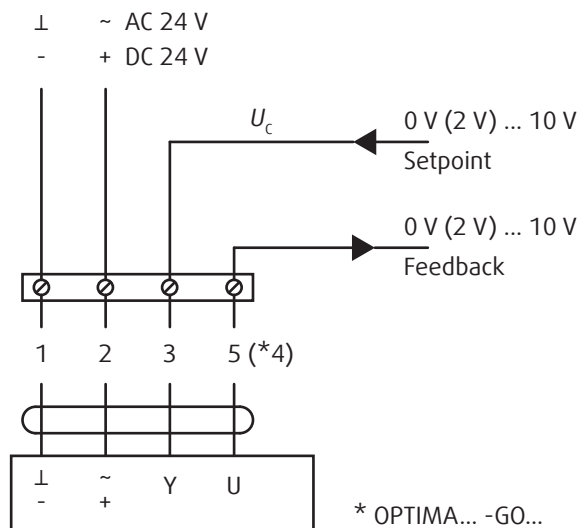
(BUS/DC (0V) 2 V ... 10 V)



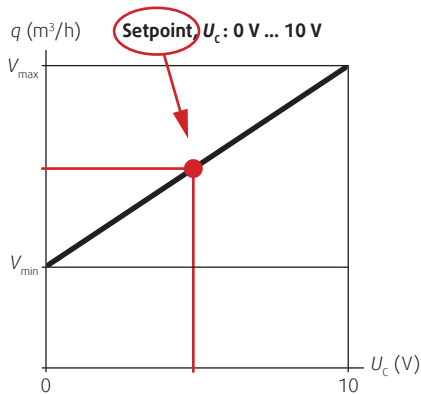
* OPTIMA...-BLC1MOD: Modbus/BACnet
OPTIMA...-GOMOD: Modbus

** OPTIMA...-BLC1MOD: 5 (2 V ... 10 V Feedback)
OPTIMA...-GOMOD: 4 (2 V ... 10 V Feedback)

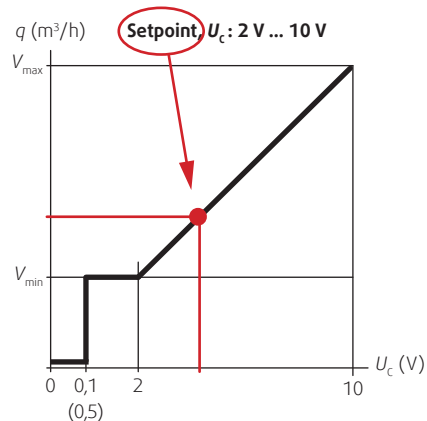




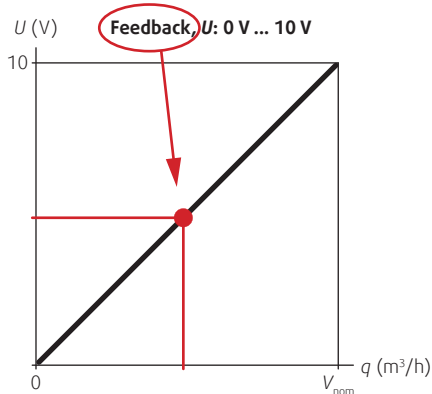
* OPTIMA... -GO...



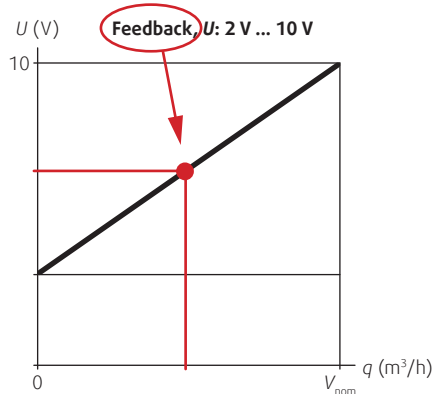
$$U_c = \frac{q - V_{\min}}{V_{\max} - V_{\min}} \cdot 10$$



$$U_c = 2 + \frac{q - V_{\min}}{V_{\max} - V_{\min}} \cdot 8$$




$$q = \frac{U}{10} \cdot V_{\text{nom}}$$



$$q = \frac{U - 2}{8} \cdot V_{\text{nom}}$$




 °C -40°C ... +50°C


 % ≤ 95%



 °C -20°C ... +50°C

 % ≤ 95%



 design.systemair.com



