

# Serie **PR50-56-63** Series

Serie di ventilatori a pale curve rovesce.

Versioni:

**Standard:** coclea stampata Pe - girante costruita PP/INOX/Fe ebanitata - supporto motore in lamiera di acciaio verniciato polveri - viteria acciaio INOX

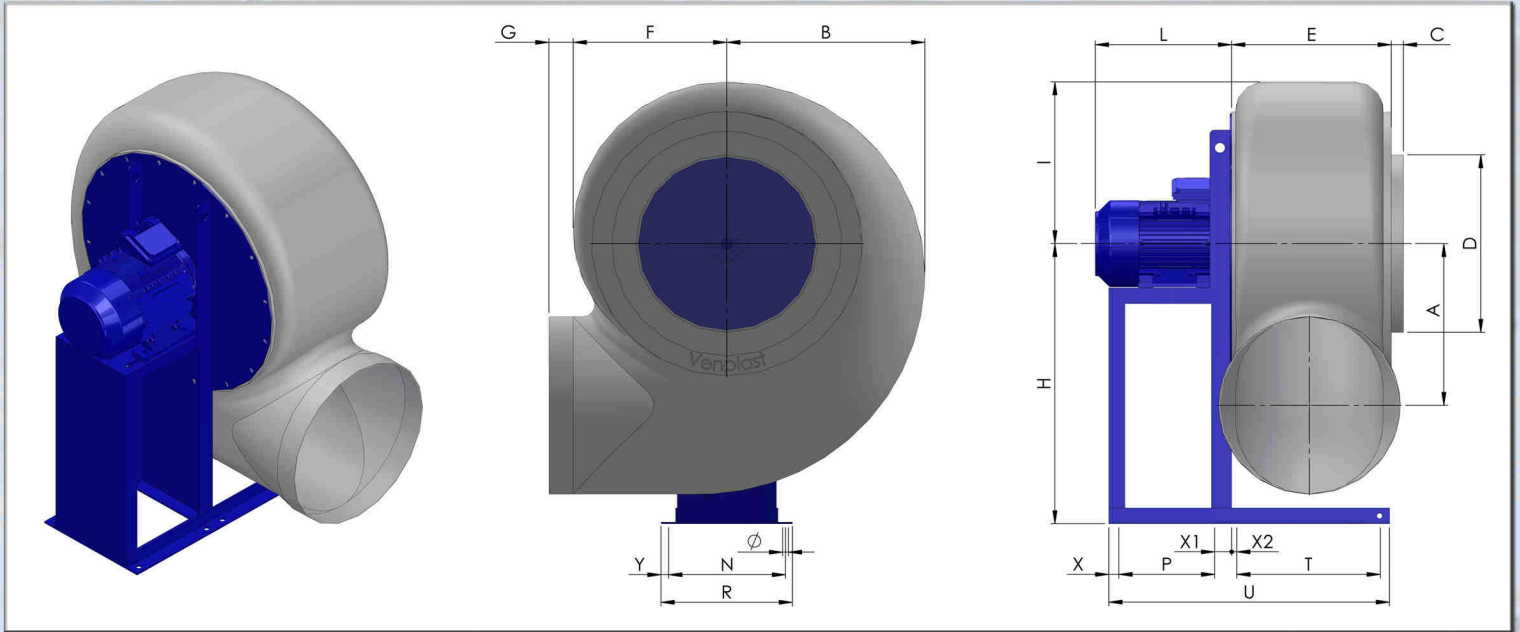
**ATEX:** coclea stampata Pe-el conduttivo - girante costruita PP-el/INOX/Fe ebanitata - supporto motore in lamiera di acciaio verniciato polveri - viteria acciaio INOX

Fans series with backward curved blades.

Versions:

**Standard:** Pe moulded housing - PP/INOX/Fe+ebonite impeller - epoxy painted motor support - stainless steel screws

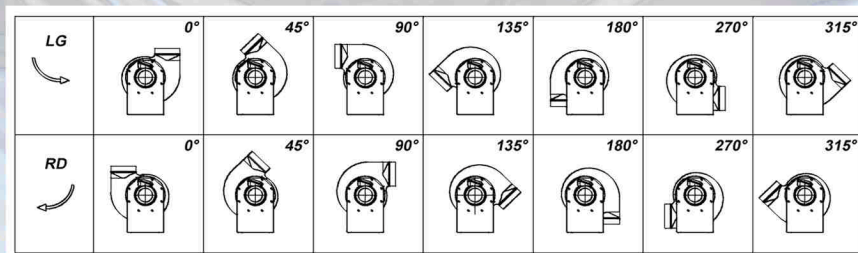
**ATEX:** Pe-el antistatic moulded housing - PP/INOX/Fe+ebonite welded impeller - epoxy painted motor support - stainless steel screws



Tipo Type	Mot.Gr. Size	Mot. Kw	Giri Rpm	A	B	C	D	E	F	G	H	I	L	N	P	T	U	X	X1	X2	Y	Ø	KG*	KG**
PR506	80	0.55	950	360	460	50	400	355	355	80	630	395	250	289	197	335	636	25	30	15	18	14	62	68
PR504	100	2.2	1450	360	460	50	400	355	355	80	630	395	300	289	197	335	636	25	30	15	18	14	70	77
PR502	160	11	2850	360	460	50	400	355	355	80	630	395	550	385	345	335	781	25	30	15	18	14	130	152
PR566	90	1.1	950	410	490	50	450	365	380	80	710	410	330	289	237	355	696	25	40	15	18	14	87	95
PR564	112	4	1450	410	490	50	450	365	380	80	710	410	340	289	237	355	696	25	40	15	18	14	110	120
PR562	180	22	2850	410	490	50	450	365	380	80	710	410	620	445	435	355	889	25	40	15	18	14	230	---
PR636	112	2.2	950	445	610	50	500	415	420	80	800	505	340	337	237	400	741	25	40	15	18	14	102	110
PR634	132	5.5	1450	445	610	50	500	415	420	80	800	505	420	337	237	400	741	25	40	15	18	14	112	131
PR632	200	30	2850	445	610	50	500	415	420	80	800	505	635	549	520	400	1026	25	40	15	18	14	210	---

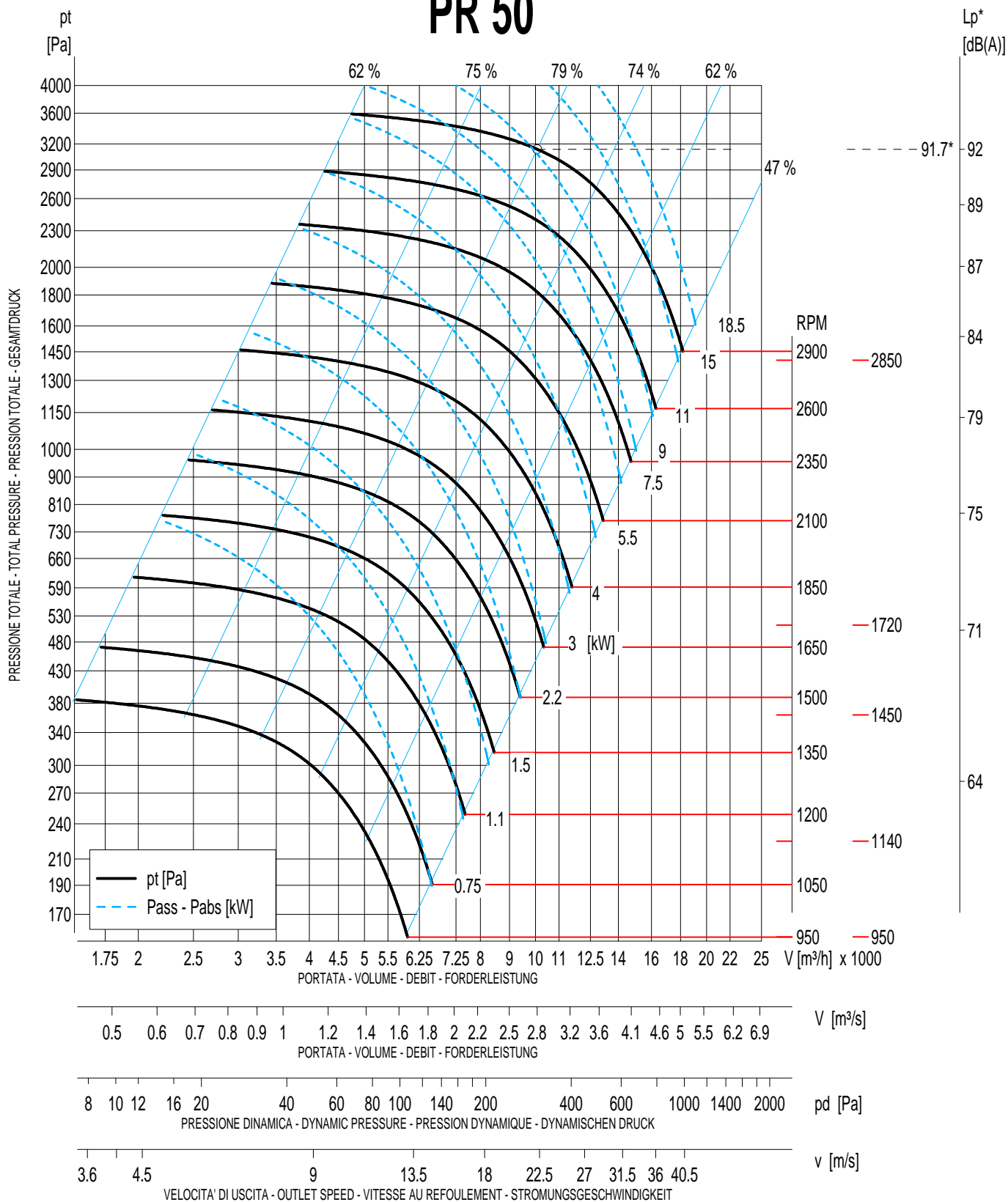
\* esecuzione con motore standard – standard motor execution

\*\* esecuzione ATEX – ATEX execution



**Venplast srl**

# PR 50



Livello potenza sonora totale - Total sound power level - Gesamt schalleistungspegel - Niveau totale de puissance sonore - [dB] *									
RPM	Banda d'ottava - Octave band - Oktav-Band - Bande d'octave [Hz]								Lp* dB(A)
	63	125	250	500	1000	2000	4000	8000	
950	79.6	81.6	82.6	77.6	76.6	71.6	63.6	55.6	66.1
1450	89	91	92	87	86	81	73	65	75.1
1750	93.2	95.2	96.2	91.2	90.2	85.2	77.2	69.2	80
2000	96.1	98.1	96.1	97.1	93.1	88.1	80.1	72.1	83.7
2900	104.3	106.3	104.3	105.3	101.3	96.3	88.3	80.3	91.7

(\* ) Al massimo rendimento - At max. efficiency - (Distanza-distance-abstand-distance : 1.5 [m])

Temperatura - Temperature - Temperatur - Température : 15 [°] - Densità - Density - Bezugsdichte - Densité : 1.225 [kg/m³]

Tolleranza sulla portata ±5% - Capacity tolerance ±5% - Tolérance sur le débit ±5% - Fördertoleranz ±5%

I valori relativi alla rumorosità sono riferiti ad una misurazione in campo libero, con una tolleranza di +3 dB(A)

Noise values refer to a free field measurement with a tolerance of +3 dB(A)

Les valeurs relatives à la bruyance se réfèrent à un mesurage en champ libre, avec une tolérance de +3 dB(A)

Die die Geräuschentwicklung betreffenden Werte beziehen sich auf eine Freifeld-Messung bei einer Toleranz von +3 dB(A)

PD<sup>2</sup> - WD<sup>2</sup> - GD<sup>2</sup> - PD<sup>2</sup> : 2.5 kgm<sup>2</sup>