

# Motorized alternating shut-off damper

# TATBU



## Description

### Alternating shut-off damper with electric motor – NM 24 A-F or NM 230 A-F

Consists of an extended T-piece with two linked DTU dampers and a 24 or 230 V electric motor installed.

Can be used for "by pass" ducts. This means that it replaces two conventional dampers + two couplings + one T-piece and is 20–30% shorter.

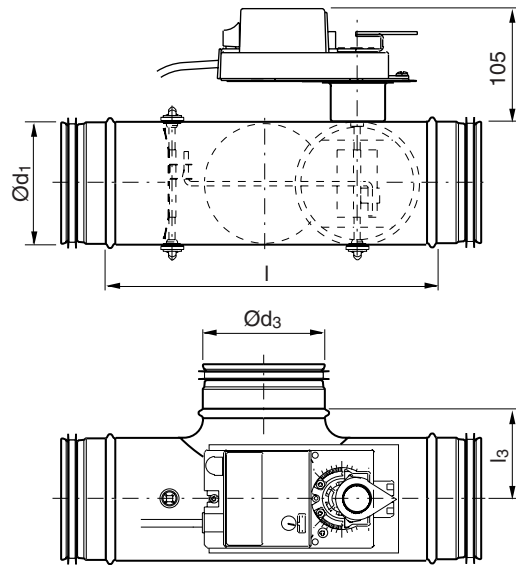
There is a separate assembly, measuring, balancing and maintenance instruction for this product.

Ø 100–400 fullfills pressure class A in closed position.

## Ordering example

<b>Product</b>	<b>TATBU</b>	<b>400</b>	<b>24</b>	<b>NMF</b>
Type				
Dimension Ød <sub>1</sub>				
Voltage				
Motor type				

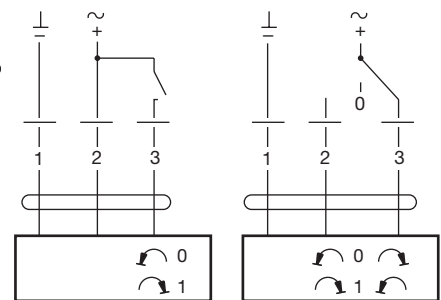
## Dimensions



Ød <sub>1</sub> nom	Ød <sub>3</sub> nom	l mm	l <sub>3</sub> mm	m kg	Sealing class past closed blade
100	100	280	65	2,00	2
125	125	345	83	2,40	2
160	160	385	105	3,00	2
200	200	425	125	3,90	2
250	250	520	150	5,20	2
315	315	585	182	7,40	2
400	400	645	225	10,6	2

## Technical data for the motors

	<b>NM 24 A-F</b>	<b>NM 230 A-F</b>
Power supply .....	AC 19,2–28,8 V, 50/60 Hz DC 19,2–28,8 V	AC 85–265 V, 50/60 Hz
Power consumption .....	1,5 W	2,5 W
For wire sizing .....	3,5 VA	6 VA
Connection .....	Cable 1 m, 3×0,75 mm <sup>2</sup>	Cable 1 m, 3×0,75 mm <sup>2</sup>
Operating angle .....	Max. 95°, adjustable 0–100%	Max. 95°, adjustable 0–100%
Torque at rated voltage .....	Min. 10 Nm	Min. 10 Nm
Direction of rotation .....	Switch selectable 0 ↻ or 1 ↻	Switch selectable 0 ↻ or 1 ↻
Position indication .....	Mechanical	Mechanical
Running time for 95° .....	150 s	150 s
Sound power level.....	Max. 35 dB (A)	Max. 35 dB (A)
Protection class.....	III Safety extra-low voltage	II Safety insulated
Protection type.....	IP 54	IP 54
Ambient temperature range .....	-30 to +50°C	-30 to +50°C
Ambient moisture .....	95 % RH	95 % RH

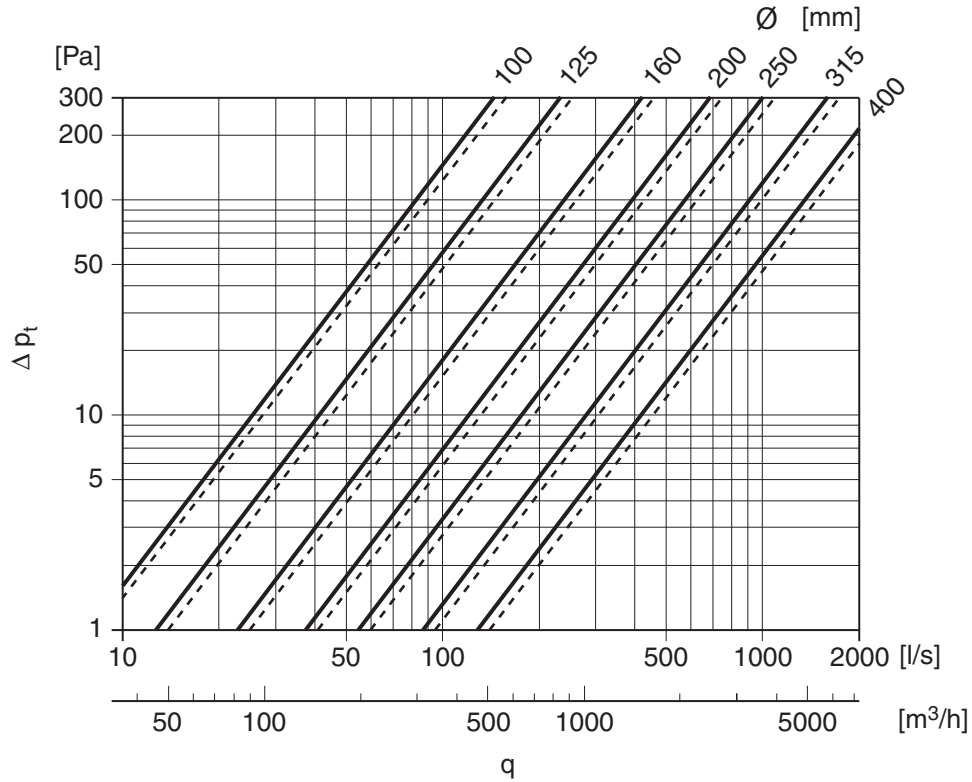
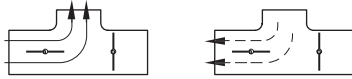


# Motorized alternating shut-off dampers

TASU, TATU,  
TATBU

## Technical data

The dashed pressure drop curves refer to the flow direction in the right picture.



1

2

3

4

5

6

7

8

9

10

11

12

13

14

15

16

17

18