

Alternating shut-off damper

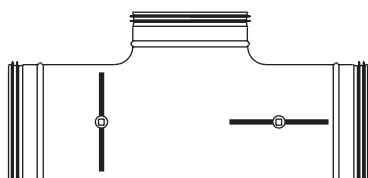
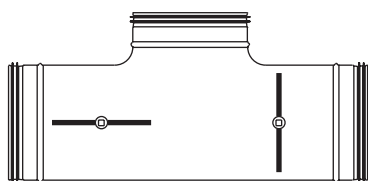


Description

Alternating shut-off damper

Consists of an extended T-piece and two linked DTU dampers.

Can be used for "by pass" ducts. It thereby replaces two conventional dampers + two couplings + one T-piece and is 20–30% shorter.



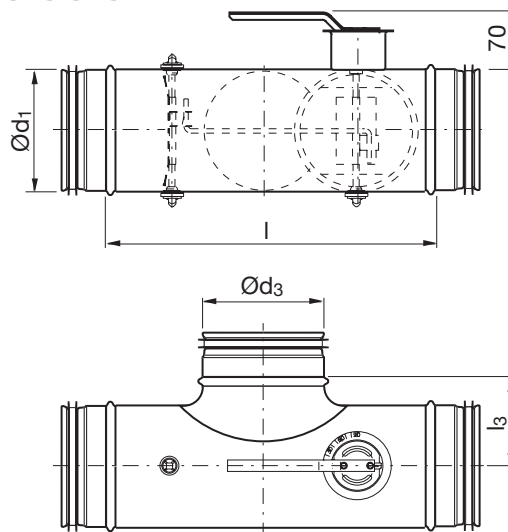
There is a separate assembly, measuring, balancing and maintenance instruction for this product.

Ø 100–400 fullfills pressure class A in closed position.

Ordering example

| | | | |
|---------------------------|------|-----|-----|
| Product | TATU | 160 | 160 |
| Dimension Ød ₁ | | | |
| Dimension Ød ₃ | | | |

Dimensions



| Ød ₁ nom | Ød ₃ nom | l mm | l ₃ mm | m kg | Sealing class past closed blade |
|---------------------|---------------------|------|-------------------|------|---------------------------------|
| 100 | 100 | 280 | 65 | 1,20 | 2 |
| 125 | 125 | 345 | 83 | 1,60 | 2 |
| 160 | 160 | 385 | 105 | 2,20 | 2 |
| 200 | 200 | 425 | 125 | 3,15 | 2 |
| 250 | 250 | 520 | 150 | 4,50 | 2 |
| 315 | 315 | 585 | 182 | 6,60 | 2 |
| 400 | 400 | 645 | 225 | 9,80 | 2 |

Motorized alternating shut-off dampers

TASU, TATU,
TATBU

Technical data

The dashed pressure drop curves refer to the flow direction in the right picture.

